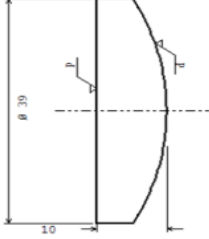
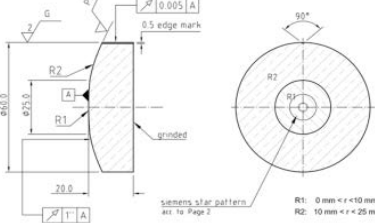
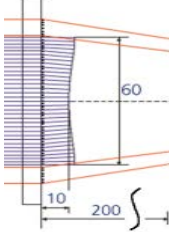
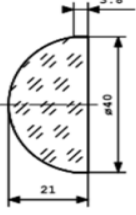




Questionnaire for Measurements of HLEM 2015 Aspheres

As of: 11.08.2014

Please return this form by 1 September 2014 to: info@upob.de or by fax to: +49 531 592 69 5131

				Proposed Period:
				between 15 September 2014 and 1 March 2015
Description	Illustration	Manufacturer	Measurement: (please tick)	
Asphere #1 CGH for #1	 <p>Weak asphere from series production</p> <p>diameter of asphere: 39 mm</p>	Leica Camera AG	<input type="checkbox"/> YES, we want to measure this asphere <input type="checkbox"/> NO, we don't need this asphere	
		Leica Camera AG	<input type="checkbox"/> YES, we need a CGH <input type="checkbox"/> NO, we don't need a CGH	
Asphere #2 CGH for #2	 <p>Metrology Asphere, consisting two spherical radii and "Siemens star pattern"</p> <p>diameter of asphere: 60 mm</p>	Schneider GmbH & Co. KG NTG GmbH & Co. KG	<input type="checkbox"/> YES, we want to measure this asphere <input type="checkbox"/> NO, we don't need this asphere	
		DIOPTIC GmbH	<input type="checkbox"/> YES, we need a CGH <input type="checkbox"/> NO, we don't need a CGH	
Asphere #3 CGH for #3	 <p>Asphere with turning point</p> <p>diameter of asphere: 40 mm</p>	Thales Angenieux	<input type="checkbox"/> YES, we want to measure this asphere <input type="checkbox"/> NO, we don't need this asphere	
		DIOPTIC GmbH	<input type="checkbox"/> YES, we need a CGH <input type="checkbox"/> NO, we don't need a CGH	
Asphere #4 CGH für #4	 <p>Steep convex asphere</p> <p>diameter of asphere: 40 mm</p>	Schneider GmbH & Co. KG	<input type="checkbox"/> YES, we want to measure this asphere <input type="checkbox"/> NO, we don't need this asphere	
		Schneider GmbH & Co. KG	<input type="checkbox"/> YES, we need a CGH <input type="checkbox"/> NO, we don't need a CGH	

Our Contact Details:

Contact Person:	E-Mail address:	Institution:	Phone No.:
-----------------	-----------------	--------------	------------